

# CABIN AIR FILTER

## IDENTIFICATION / INSTALLATION

### IMPORTS

### PA4410 KIT

Nissan Frontier, NV1500, NV2500HD,  
Pathfinder, Xterra;  
Suzuki Equator

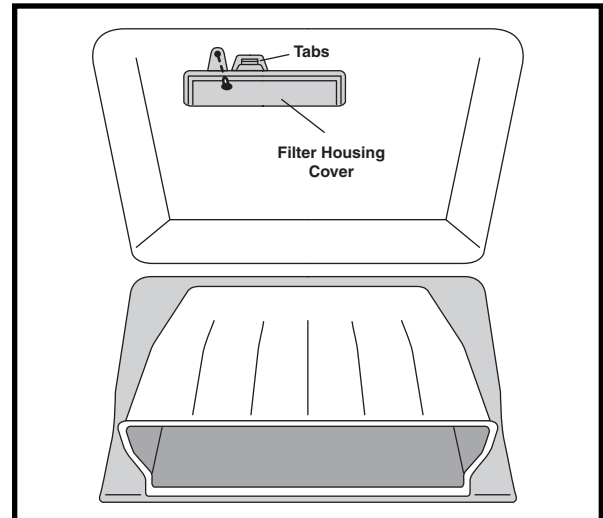


**OE:** 999M1-VR056

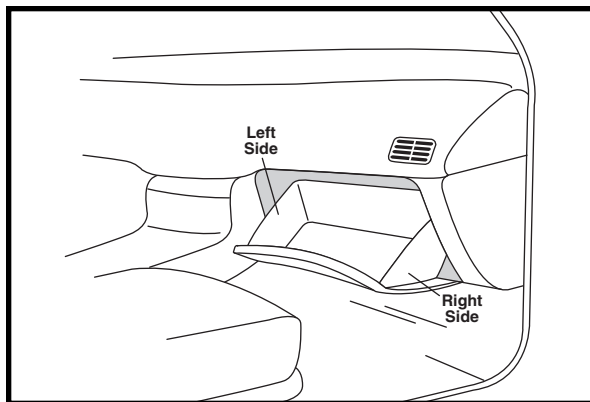
**Fits:** 2005-on Nissan Frontier, Pathfinder, Xterra  
2012 Nissan NV1500, NV2500HD  
2009-on Suzuki Equator

**Size:** 10 5/32 x 3 31/32 x 31/32  
(258.0 x 100.8 x 24.6)

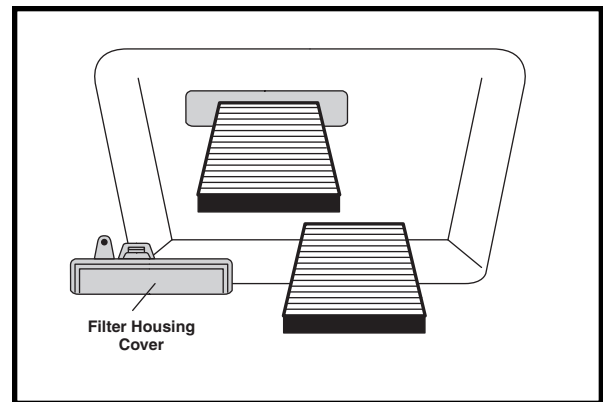
**Note:** 2 Required per Vehicle (Sold as Set of 2)



4. Remove glove compartment.
5. Remove bolt on filter housing cover.
6. Remove filter housing cover by pushing up on tab.



1. Open passenger side door.
2. Open glove compartment.
3. Push in on left and right sides of glove compartment to release glove compartment.



7. Remove first filter.
8. Slide second filter to the left and then out.
9. Replace filters in reverse order and reassemble.

**Notice:** The information provided is based on the latest authoritative information available at press time. However, due to manufacturers' changes, and year and model variations, Baldwin Filters cannot be responsible for misapplications and instruction errors.

**BALDWIN FILTERS**® **BALDWIN**  
a CLARCOR company

4400 East Highway 30 ■ P.O. Box 6010  
Kearney, Nebraska 68848-6010  
Phone: (308) 234-1951 ■ Toll Free: (800) 822-5394  
Fax: (800) 828-4453 ■ Int'l Fax: (308) 237-9769  
Internet: [www.baldwinfilter.com](http://www.baldwinfilter.com)