

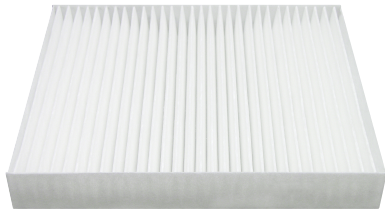
CABIN AIR FILTER

IDENTIFICATION / INSTALLATION

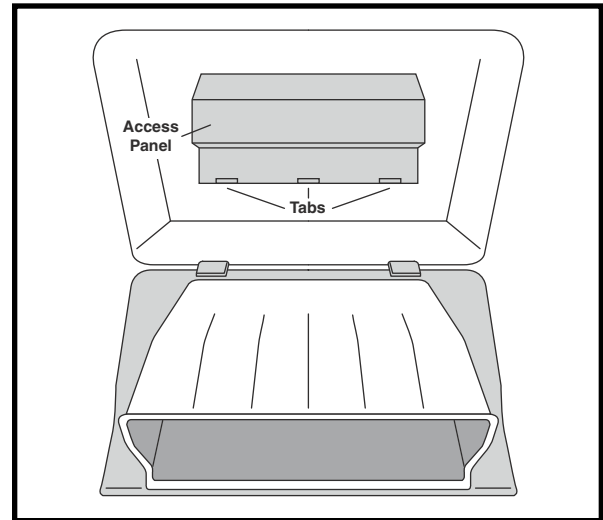
CHRYSLER

PA4405

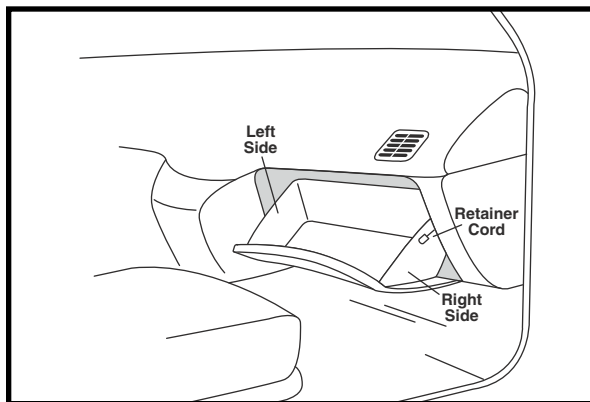
**Chrysler Town & Country;
Dodge Grand Caravan;
Infiniti EX35, FX35, G25, G37,
M35, M45, QX56;
Nissan GT-R;
Ram Cargo Van**



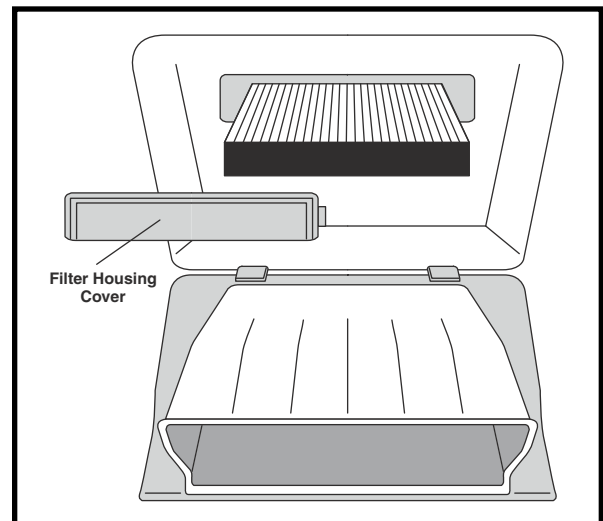
OE: 27277-EG025
Fits: 2008-10 Chrysler Town & Country, Dodge Grand Caravan
2008-on Infiniti EX35, G37
2010-on Infiniti FX35
2011-on Infiniti G25, QX56
2006-10 Infiniti M35, M45
2009-on Nissan GT-R
2012 Ram Cargo Van
Size: 9 x 7 13/16 x 1 1/4
(228.6 x 198.4 x 31.8)



5. Flip down glove compartment.
6. Pull tabs to flip up access panel.



1. Open passenger side door.
2. Open glove compartment.
3. Push in on left and right sides of glove compartment to release glove compartment.
4. Release retainer cord from glove compartment.



7. Remove filter housing cover.
8. Replace filter and reassemble.

Notice: The information provided is based on the latest authoritative information available at press time. However, due to manufacturers' changes, and year and model variations, Baldwin Filters cannot be responsible for misapplications and instruction errors.

BALDWIN FILTERS® **BALDWIN**
a CLARCOR company

4400 East Highway 30 ■ P.O. Box 6010
Kearney, Nebraska 68848-6010
Phone: (308) 234-1951 ■ Toll Free: (800) 822-5394
Fax: (800) 828-4453 ■ Int'l Fax: (308) 237-9769
Internet: www.baldwinfilter.com